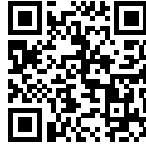
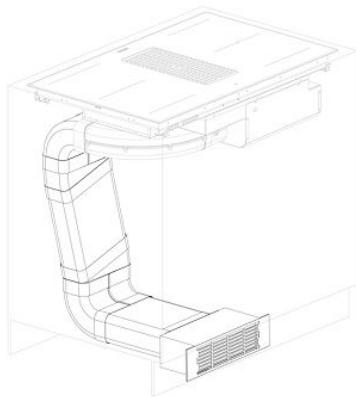


## KIT FILTRE VENTO

Accessories e Complements

Code: A700 D80



### DETAILS

Material                                      Stainless steel mask

---

Full description                             plinth height 100/150 mm

---

Type of accessory                          Hoods accessories

---